



SunWize Premium Enclosures

SunWize®

Hinged Cover Premium Battery Enclosures

SunWize F-series hinged cover enclosures are engineered specifically for the PV industry allowing the installer to add controllers and other electrical components. Additional back and side panels are available. Designed for outdoor use, NEMA type 3R/12 construction, enclosures have bottom-to-top rain and dust proof vent design. A removable front opening door is lined with a sealing gasket and includes a special keyed cam-lock and dust cover. These enclosures are white powder coated aluminum for ultimate protection in severe climates. For applications in extreme hot or cold conditions, space is available for additional 1" foam insulation around the battery.

Features: 3 models for either 1, 2 or 4 Group 31 batteries. Vertical design on 4 battery enclosure (2 + 2) with removable interior shelf, Passive venting with dust filtration pads. Doors have 1/4 turn locking door latches with special key and dust cover. Electrical knockouts and ground lug hole on rear. Rear-top of enclosure 'hanger' built in for easy installation onto mounting brackets. Vandal resistant wall or pole mounting brackets and U-bolt sets are sold separately.

| Model | Dimensions in. | DIM.A | Weight lb. | MSRP |
|--|-----------------------|--------|------------|----------|
| F1 - 1 battery | 20.75 x 16.00 x 9.38 | 12 7/8 | 25 | \$345.00 |
| F2 - 2 batteries | 20.75 x 16.00 x 14.38 | 12 7/8 | 30 | \$389.00 |
| F4 - 4 batteries | 32.00 x 16.00 x 14.38 | 24 1/8 | 40 | \$515.00 |
| Extra Door Key – #E3-5-15, Cylinder type | | | | \$4.50 |

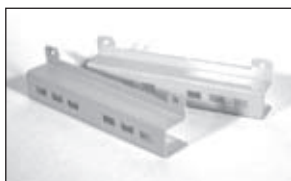


SunWize Economy Enclosures

Economy Battery Enclosures

Available in five sizes, E-series economy battery enclosures are cost-effective solutions for housing one to four batteries. These aluminum enclosures feature removable covers fastened by aluminum screws, NEMA 3R type rainproof, rear louver-vented construction, and a brushed grain finish. Includes dual bottom and rear 1/2" electrical knockouts and a removable back panel for mounting PV controls and other components (except E1-38 size). The two small enclosures, have two external mounting feet sized for 2" pipe U-bolt attachment. The E1-125 through E1-500 enclosures include a stainless steel door lock-hasp and rear mounting holes. Brackets sold separately. Space is provided to allow for 1" foam insulation around the battery. Tamper proof door screws can be added for extra security.

| Model | Quantity x Battery Group | Dimensions in. | Weight lb. | MSRP |
|--------|--------------------------|-----------------------|------------|----------|
| E1-38 | 1 x ES1712 | 11.25 x 9.13 x 5.88 | 4 | \$95.00 |
| E1-63 | 1 x 8G22NF | 14.50 x 10.25 x 7.50 | 6 | \$125.00 |
| E1-125 | 1 x 8G31 | 17.00 x 16.00 x 9.50 | 12 | \$139.00 |
| E2-250 | 2 x 8G31 | 17.00 x 16.00 x 15.00 | 17 | \$159.00 |
| E4-500 | 4 x 8G31 | 32.00 x 16.00 x 15.00 | 25 | \$349.00 |



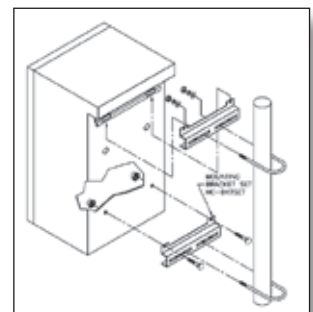
SW Premium Mounting Brackets

Mounting Brackets for F and E Series Enclosures

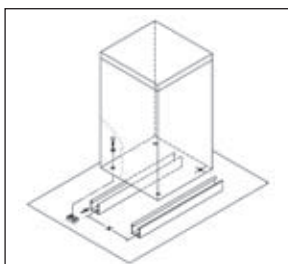
Brackets are identical except for the surface coating which matches the enclosure series; white powder coating for F Series, brushed aluminum for E Series. Matching aluminum channels are used for wall or pole mounting. Slotted pattern allows U-bolt sizes from 2" to 8" (schedule 40 pipe) or larger band clamps.

Brackets are first mounted in place on wall or pole. For extra vandal resistance the enclosure is then hung in place on top bracket and bolted through lower bracket with 5/16" carriage-bolts which are included.

| Model | Dimensions in. | Weight lb. | MSRP |
|-------------------|----------------|------------|---------|
| F-BKTSET(Premium) | 2 x 13 | 2.0 | \$35.00 |
| E-BKTSET(Economy) | 2 x 13 | 2.0 | \$29.00 |



SW Economy Mounting Brackets



SW Pad Brackets

Concrete Pad Mounting Brackets F and E Series Enclosures

Aluminum strut channels are used in combination with captive lock nuts and supplied with 3/8" stainless steel fasteners for attachment to enclosure bottom - allows clearance for air flow, flood water and door opening. Concrete anchors not furnished. Requires four bottom holes added by installer. Can be used with either F or E series enclosures.

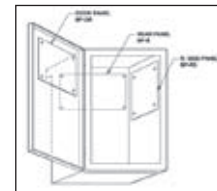
| Model | Dimensions in. | Weight lb. | MSRP |
|--------------|----------------|------------|---------|
| PD-MTGBKTSET | 1 x 20 | 4.0 | \$45.00 |



SW Enclosure Mounting Panels

Hinged Cover Mounting Panels F Series Enclosures

All F-series enclosures include interior studs for mounting panels. Back panels are made of 0.080" brushed aluminum with four mounting holes. Right-side and door panels are blank, rear panels are either blank or with 39 pre-located holes for #8 self tapping screws, allowing simple attachment of most commonly used PV controllers, breakers, terminal strips, surge arrestors, and ballasts.



| Model | Dimensions in. | Weight lb. | MSRP |
|--|----------------|------------|---------|
| F-HC-RP-B Rear panel-blank | 15.50 x 6.50 | 0.70 | \$12.00 |
| F-HC-RP-D Rear panel-drilled | 15.50 x 6.50 | 0.70 | \$15.00 |
| F-HC-RSP-1B Right side (one battery) | 8.75 x 3.75 | 0.23 | \$10.50 |
| F-HC-RSP-2/4B Right side (2/4 battery) | 9.50 x 6.25 | 0.41 | \$11.00 |



SW Top Opening Enclosure

Top Opening Chest Type Battery Enclosures

Exterior white powder coated finish, T-series battery enclosures are designed for housing larger group 4D (250 Ah) & 8D (300 Ah) batteries and will house many other battery sizes as well. These enclosures feature 0.125" aluminum, NEMA 3R type rainproof-vented construction and include lower 3" x 5" channel skids with pad anchoring holes to provide ground clearance. The continuous ST-ST hinged cover includes a prop rod, lock hasp and 1/2" side conduit entries. Interior mounting panel studs on sides and top cover for additional PV control & component mounting - panels are sold separately. Extra space for 2" foam insulation around the battery and under top cover.

| Model | Quantity x Battery Group | Dimensions in. | Weight lb. | MSRP |
|--------|--------------------------|----------------------|------------|------------|
| T-3X4D | 3 x 4D or 2 x 8D | 31.25 x 23.75 x 20.5 | 55.0 | \$789.00 |
| T-6X4D | 6 x 4D or 4 x 8D | 48.25 x 30.25 x 20.5 | 100.0 | \$909.00 |
| T-6X8D | 8 x 4D or 6 x 8D | 48.25 x 40.25 x 20.5 | 125.0 | \$1,119.00 |

Top Opening Enclosure Mounting Panels

Blank panels are 0.125" brushed aluminum with four mounting holes for side and top cover locations to allow attachment of PV charge controllers and other components.

| Model | Dimensions in. | Weight lb. | MSRP |
|----------------------------|----------------|------------|---------|
| MP-S Side Panel | 15.5 x 6.5 | 0.70 | \$12.00 |
| MP-T pre-drilled Top Panel | 17.0 x 17.0 | 4.00 | \$60.00 |